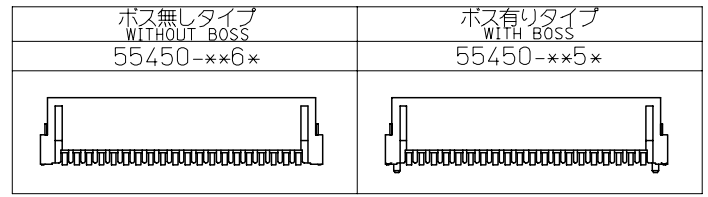
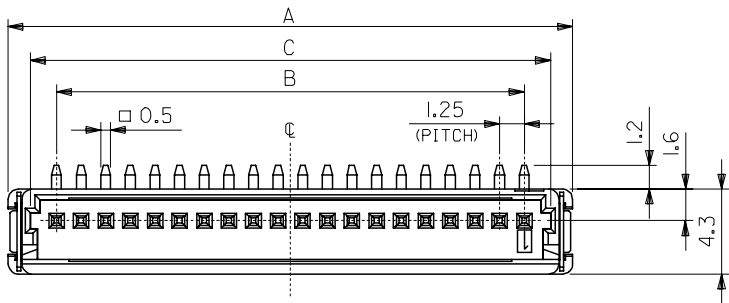
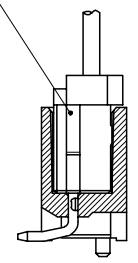


10 9 8 7 6 5 4 3 2 1

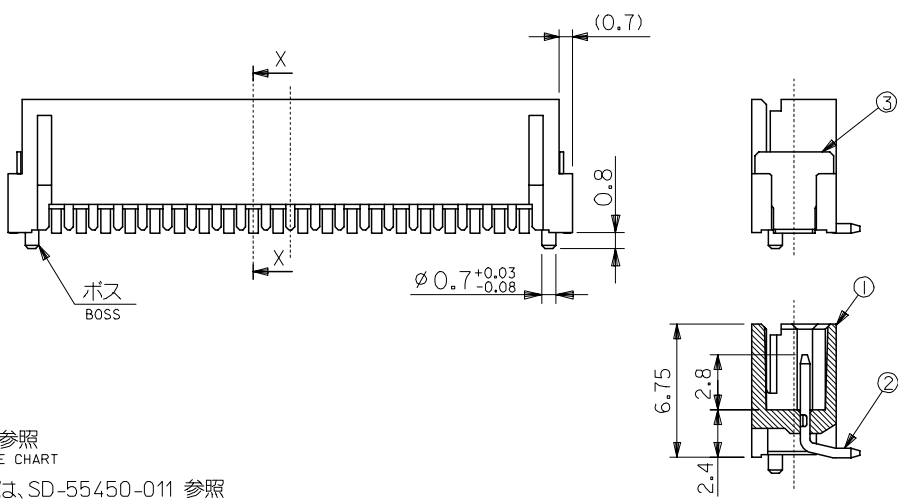
番号 NO.	名称 NAME	原料 MATERIAL	数量 QTY	仕上げ FINISH
①	ウエハー WAFER	ナイロン NYLON	1	UL94V-0
②	ピン PIN	黄銅 BRASS	N	全体錫メッキ PRE-TINNED
③	フィッティングネール FITTING NAIL	黄銅 BRASS	2	錫メッキ TIN PLATING



54596-\*\*\*  
リセプトフルアセンブリ  
REC. ASS'Y



嵌合図  
MATING REC.



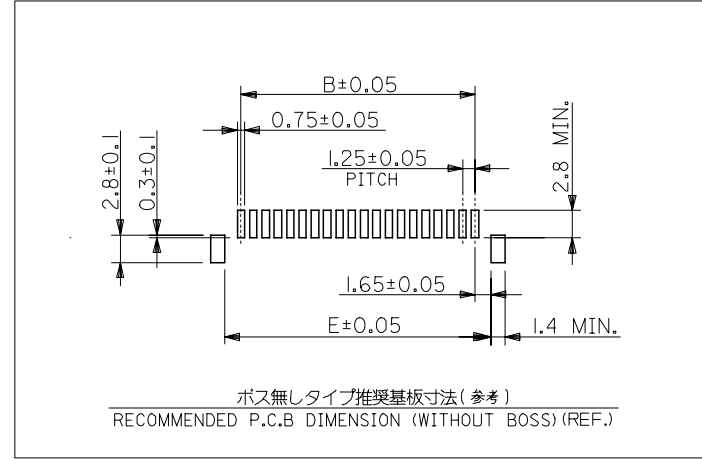
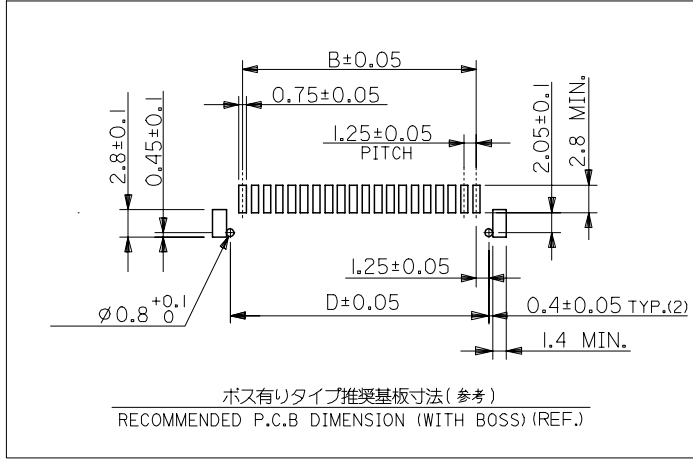
断面 X-X  
SECTION X-X

27.05	26.25	26.4	23.75	28.65	20	55450-20**
25.8	25	25.15	22.5	27.4	19	-19**
24.55	23.75	23.9	21.25	26.15	18	-18**
23.3	22.5	22.65	20	24.9	17	-17**
22.05	21.25	21.4	18.75	23.65	16	-16**
20.8	20	20.15	17.5	22.4	15	-15**
19.55	18.75	18.9	16.25	21.15	14	-14**
18.3	17.5	17.65	15	19.9	13	-13**
17.05	16.25	16.4	13.75	18.65	12	-12**
15.8	15	15.15	12.5	17.4	11	-11**
14.55	13.75	13.9	11.25	16.15	10	-10**
13.3	12.5	12.65	10	14.9	9	-09**
12.05	11.25	11.4	8.75	13.65	8	-08**
10.8	10	10.15	7.5	12.4	7	-07**
9.55	8.75	8.9	6.25	11.15	6	-06**
8.3	7.5	7.65	5	9.9	5	-05**
7.05	6.25	6.4	3.75	8.65	4	-04**
5.8	5	5.15	2.5	7.4	3	-03**
4.55	3.75	3.9	1.25	6.15	2	55450-02**
E	D	C	B	A	極数 CIRCUIT SIZE	△ 製品番号 MATERIAL NO.

注) NOTES

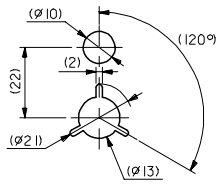
- 原料および仕上げ: 表参照  
MATERIAL AND FINISH: SEE CHART
  - エンボス梱包品の詳細は、SD-55450-011 参照  
REFER TO THE SD-55450-011 FOR THE EMBOSSED PACKAGING.
  - 端子平坦度は 0.15 MA X. とする。  
COPLANALITY TO BE 0.15 MAX.
- △ 製品番号  
MATERIAL NO.  
55450-\*\*\*\*
- 極数 CIRCUIT SIZE (02 ~ 20)
- ボス BOSS 5: ボス有り WITH BOSS  
6: ボス無し WITHOUT BOSS
- 色 COLOR 0: 自然色 NATURAL
5. 本製品は 55450-\*\*10/\*\*30/\*\*70/\*\*80 の鉛フリー品である。  
THIS PRODUCT IS LEAD FREE OF 55450-\*\*10/\*\*30/\*\*70/\*\*80.

REVISED EC NO: J2007-0566 DRWN: OTANI CHKD: NUKITA APPR: NUKITA	DESCRIPTION GENERAL TOLERANCES (UNLESS SPECIFIED)	DIMENSION STYLE MM ONLY		SCALE 4:1	DESIGN UNITS METRIC	THIRD ANGLE PROJECTION	
		DRAWN BY N. AIDA	DATE '05/02/01	TITLE MINI M12 1-ROW SMT WAFER ASS'Y (TIN) -LEAD FREE-	MOLEX INCORPORATED		SHEET NO. 1 OF 2
A	10 UNDER	±0.2	APPROVED BY N. UKITA		DOCUMENT NO. SD-55450-010		THIS DRAWING CONTAINS INFORMATION THAT IS PROPRIETARY TO MOLEX INCORPORATED AND SHOULD NOT BE USED WITHOUT WRITTEN PERMISSION
	10 OVER 30 UNDER	±0.25	DATE '05/02/01		MATERIAL NO. SEE CHART		
	30 OVER	±0.3	DATE '05/02/01		SIZE A3		
	ANGULAR	±3 °					
	DRAFT WHERE APPLICABLE MUST REMAIN WITHIN DIMENSIONS						

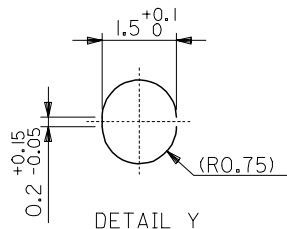


REVISED EC NO: J2007-0566 DRWN: OTANI 2006/09/01 CHK: NUKITA 2006/09/05 APPR: NUKITA 2006/09/08	GENERAL TOLERANCES (UNLESS SPECIFIED)		DIMENSION STYLE MM ONLY		SCALE 4:1	DESIGN UNITS METRIC	THIRD ANGLE PROJECTION	
	10 UNDER	±0.2	DRAWN BY N.AIDA	DATE '05/02/01	TITLE MINI M12 1-ROW SMT WAFER ASS'Y (TIN) -LEAD FREE-			
	10 OVER 30 UNDER	±0.25	CHECKED BY K.TOJO	DATE '05/02/01				
	30 OVER	±0.3	APPROVED BY N.NUKITA	DATE '05/02/01	MOLEX INCORPORATED DOCUMENT NO. SD-55450-010 SHEET NO. 2 OF 2			
	ANGULAR	±3 °	MATERIAL NO. SEE CHART					
DRAFT WHERE APPLICABLE MUST REMAIN WITHIN DIMENSIONS		SIZE A3		THIS DRAWING CONTAINS INFORMATION THAT IS PROPRIETARY TO MOLEX INCORPORATED AND SHOULD NOT BE USED WITHOUT WRITTEN PERMISSION				

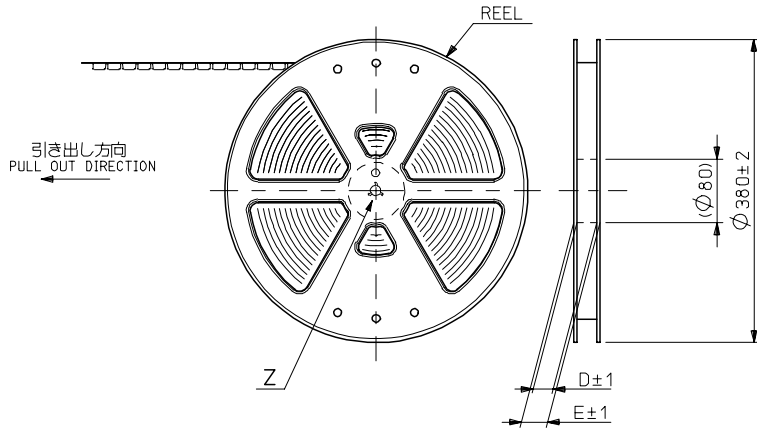
10 9 8 7 6 5 4 3 2 1



DETAIL Z

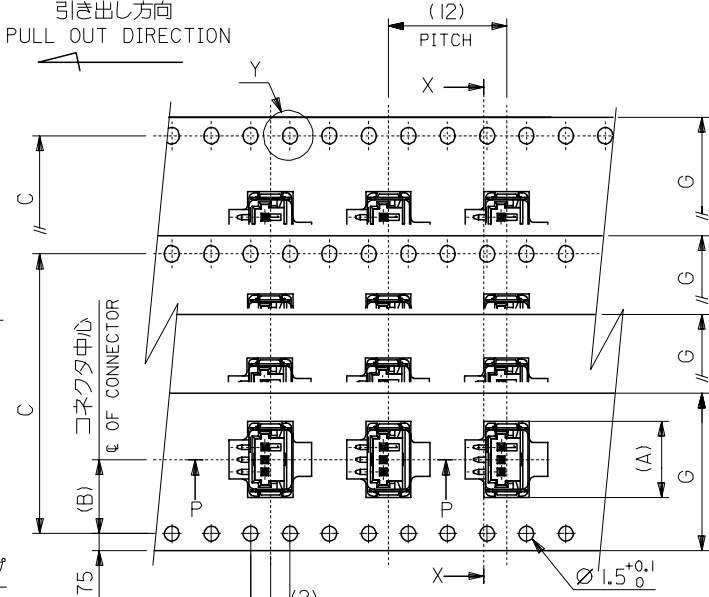


DETAIL Y  
(10:1)



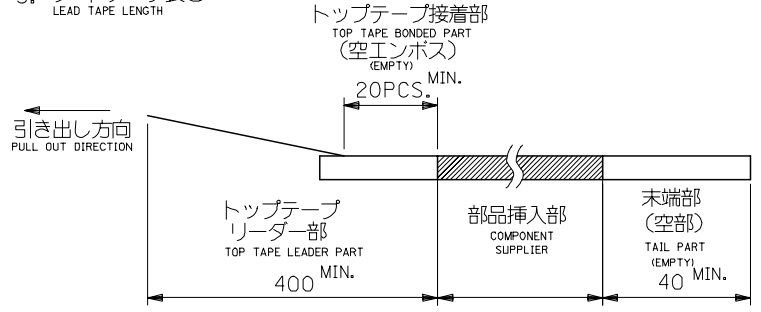
引き出し方向  
PULL OUT DIRECTION

引き出し方向  
PULL OUT DIRECTION



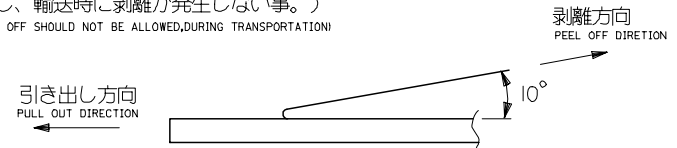
注)  
NOTES

- 製品番号 55450-\*\*\*\* の詳細寸法については、SD-55450-010 を参照下さい。  
IN THE PACKAGE, PART NO. 55450-\*\*\*\* DETAILED DIMENSIONS, SEE SD-55450-010.
- 梱包数量 : 880個/リール  
NUMBER OF CONNECTORS : 880 PCS/REEL
- リードテープ長さ  
LEAD TAPE LENGTH



- トップテープの剥離強度 (剥離方向は下図参照)  
PEELING OFF FORCE OF TOP TAPE (PEELING DIRECTION AS SHOWN IN FOLLOWING FIG.)  
0.1~1.3N ( 10~130gf )

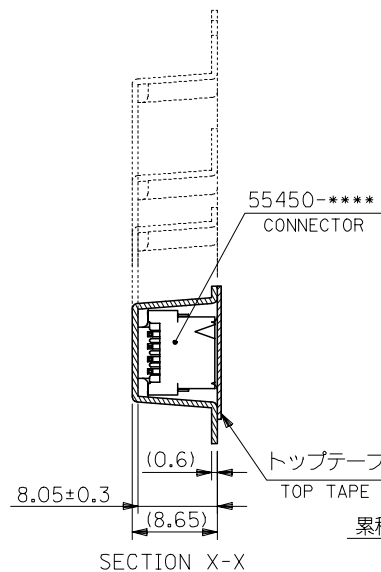
尚、本規格値は、出荷時に適用。  
THIS REQUIREMENT SHOULD BE APPLIED AT SHIPMENT  
(但し、輸送時に剥離が発生しない事。)  
(PEEL OFF SHOULD NOT BE ALLOWED, DURING TRANSPORTATION)



- 材料  
MATERIAL  
キャリアテープ : ポリプロピレン (PP)  
CARRIER TAPE : POLYPROPYLENE (PP)  
トップテープ : PET, PE, PEF  
TOP TAPE : PET, PE, PEF  
リール : ポリスチレン  
REEL : POLYSTYRENE

△ テープ巾32, 44mmに適用。  
THIS DIMENSION SHOULD BE APPLIED AT TAPE WIDTH OF 32, 44mm

- 本製品は 55450-xx19/xx39/xx79/xx89 の鉛フリー品である。  
THIS PRODUCT IS LEAD FREE OF 55450-xx19/xx39/xx79/xx89.



SECTION X-X

REVISED EC NO: J2006-1116 DRW: N. SUZUKI CHK: K. TOYODA APP: N. UKITA REV A	DESCRIPTION 2005/10/07 2005/10/11 2005/10/13	GENERAL TOLERANCES (UNLESS SPECIFIED)		DIMENSION STYLE MM ONLY		SCALE ---	DESIGN UNITS METRIC	THIRD ANGLE PROJECTION	
		10 UNDER	± ---	DRAWN BY N. AIDA	DATE '05/02/01	TITLE EMBOSSD TAPE PACKAGE FOR 55450-**** -LEAD FREE-		MOLEX INCORPORATED	
		10 OVER 30 UNDER	± ---	CHECKED BY K. TOJO	DATE '05/02/01				
		30 OVER	± ---	APPROVED BY N. UKITA	DATE '05/02/01				
ANGULAR ± --- °		DRAFT WHERE APPLICABLE MUST REMAIN WITHIN DIMENSIONS		MATERIAL NO. SEE CHART		DOCUMENT NO. SD-55450-011		SHEET NO. 1 OF 3	

10 9 8 7 6 5 4 3 2 1

F

F

E

E

D

D

C

C

B

B

A

A

G	F	E	(D)	C	(B)	(A)	CONNECTOR	エンボス梱包品 製品番号 MATERIAL NO.	MODEL NO.	CONNECTOR	エンボス梱包品 製品番号 MATERIAL NO.	MODEL NO.	極数 CIRCUIT SIZE	量産対応 AVAILABLE				
44	3	49.4	45.4	40.4	20.2	28.95	55450-2060	55450-2069	55450-**69 ボス無し WITHOUT BOSS	55450-2050	55450-2059	55450-**59 ボス有り WITH BOSS	20	OK				
						27.7	↑	-1960		↑	-1969		↑	-1950	↑	-1959	19	NO
						26.45		-1860			-1869			-1850		-1859	18	OK
						25.2		-1760			-1769			-1750		-1759	17	NO
						23.95		-1660			-1669			-1650		-1659	16	OK
						22.7		-1560			-1569			-1550		-1559	15	OK
						21.45		-1460			-1469			-1450		-1459	14	OK
32	2	37.4	33.4	28.4	14.2	20.2		-1360		-1369			13	OK				
						18.95		-1260		-1269		-1250		-1259	12	OK		
						17.7		-1160		-1169		-1150		-1159	11	OK		
						16.45		-1060		-1069		-1050		-1059	10	OK		
24	2	29.4	25.4	11.5	7.5	15.2		-0960		-0969			9	NO				
						13.95		-0860		-0869		-0850		-0859	8	OK		
						12.7		-0760		-0769		-0750		-0759	7	OK		
						11.45		-0660		-0669		-0650		-0659	6	OK		
						10.2		-0560		-0569		-0550		-0559	5	OK		
						8.95		-0460		-0469		-0450		-0459	4	NO		
16	2	21.4	17.4	7.5	7.7		-0360		-0369			3	OK					
					6.45	55450-0260	55450-0269		55450-0250	55450-0259		2	OK					

REVISED EC NO: J2006-1116 DRW: NESUZUKI CHK: KATOYODA APP: NUKITA	2005/10/07 2005/10/11 2005/10/13	DESCRIPTION REV	GENERAL TOLERANCES (UNLESS SPECIFIED)		DIMENSION STYLE MM ONLY		SCALE ---	DESIGN UNITS METRIC	THIRD ANGLE PROJECTION	
			10 UNDER	± ---	DRAWN BY N. AIDA	DATE '05/02/01	TITLE EMBOSSSED TAPE PACKAGE FOR 55450-**** -LEAD FREE-			
			10 OVER 30 UNDER	± ---	CHECKED BY K. TOJO	DATE '05/02/01	MOLEX INCORPORATED			
			30 OVER	± ---	APPROVED BY N. UKITA	DATE '05/02/01	MATERIAL NO. DOCUMENT NO. SHEET NO. SEE CHART SD-55450-011 2 OF 3			
DRAFT WHERE APPLICABLE MUST REMAIN WITHIN DIMENSIONS			SIZE A3		THIS DRAWING CONTAINS INFORMATION THAT IS PROPRIETARY TO MOLEX INCORPORATED AND SHOULD NOT BE USED WITHOUT WRITTEN PERMISSION					

10 9 8 7 6 5 4 3 2 1

F

E

D

C

B

A

F

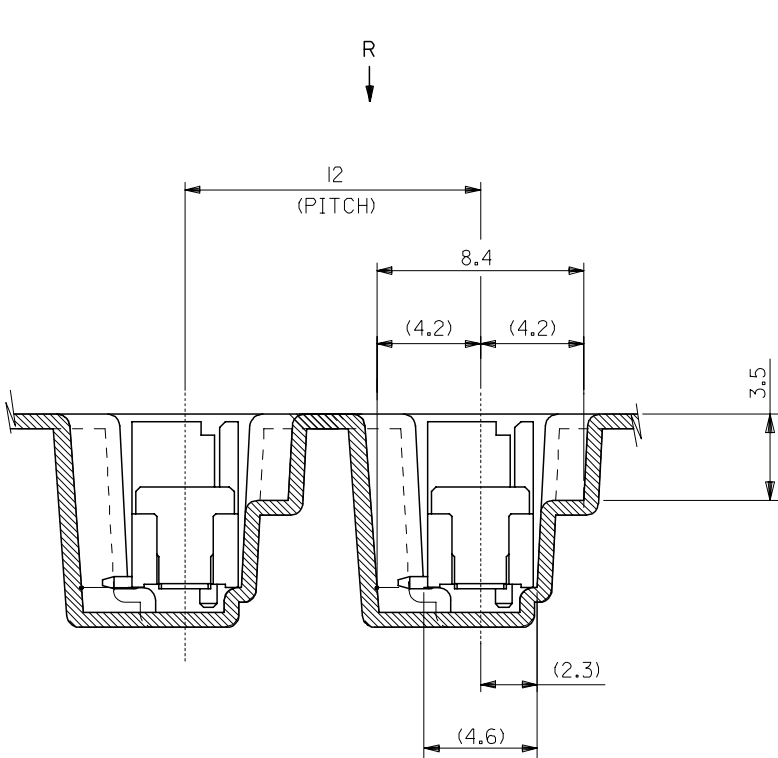
E

D

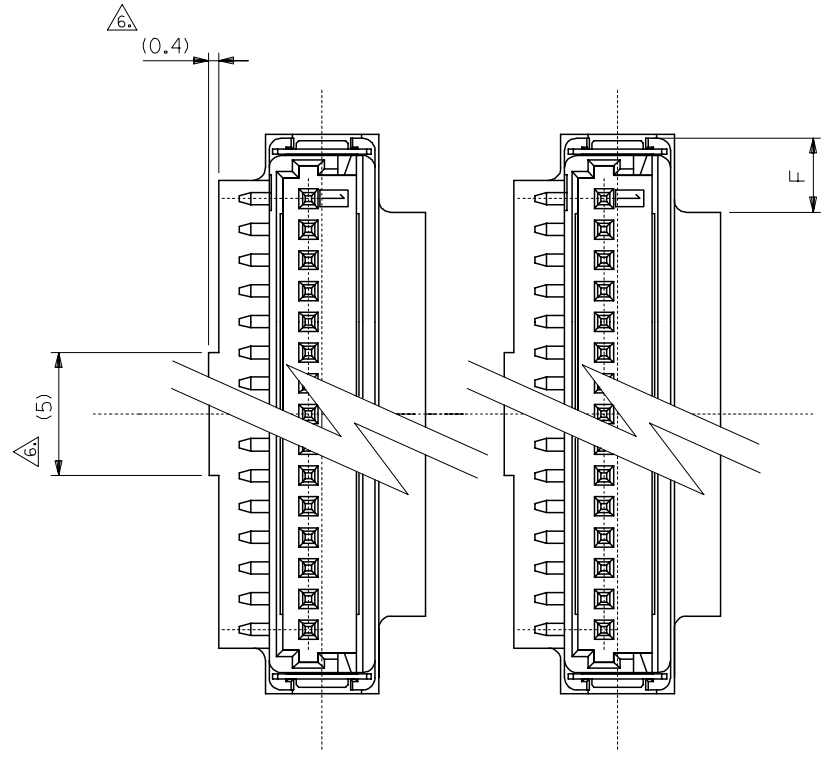
C

B

A



SECTION P-P  
(5:1)



VIEW R  
(5:1)

REVISED EC NO: J2006-1116 DRW: N. SUZUKI CHK: K. TOYODA APPR: N. UKITA	2005/10/07 2005/10/11 2005/10/13	GENERAL TOLERANCES (UNLESS SPECIFIED)		DIMENSION STYLE MM ONLY		SCALE 5:1	DESIGN UNITS METRIC	THIRD ANGLE PROJECTION		
		10 UNDER	± ---	DRAWN BY N. AIDA	DATE '05/02/01	TITLE EMBOSSED TAPE PACKAGE FOR 55450-**** -LEAD FREE-				
		10 OVER 30 UNDER	± ---	CHECKED BY K. TOJO	DATE '05/02/01					
		30 OVER	± ---	APPROVED BY N. UKITA	DATE '05/02/01	MOLEX INCORPORATED				
		ANGULAR	± --- °	MATERIAL NO.	DOCUMENT NO.					
DRAFT WHERE APPLICABLE MUST REMAIN WITHIN DIMENSIONS		SEE CHART		SD-55450-011		3 OF 3				